

POL Part No.483

FF31 - Flat Profile Passive Infrared Ceiling Lens

POL's patented free-form Fresnel technology enables the FF31 lens to have a flat profile while still giving equivalent performance to lenses with a 3D form.

This lens is available in various color options and can be cropped to give a variety of custom flange shapes.

"POL's patented free-form Fresnel technology enables the FF31 lens to have a flat profile while still giving equivalent performance to the PF31"



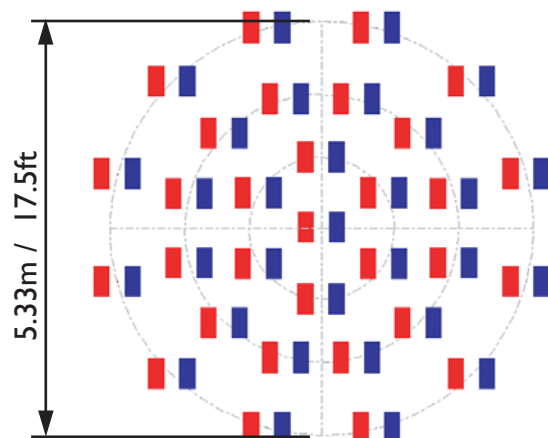
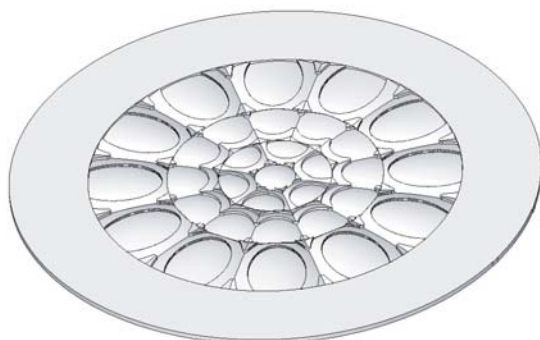
Similar '3D' lens mounted in ceiling detector assembly



New POL FF31 lens mounted in ceiling detector assembly

Applications

- Office security and lighting control
- Washroom and cloakroom lighting control
- Warehouse security and lighting control
- Intruder detection
- Fan control

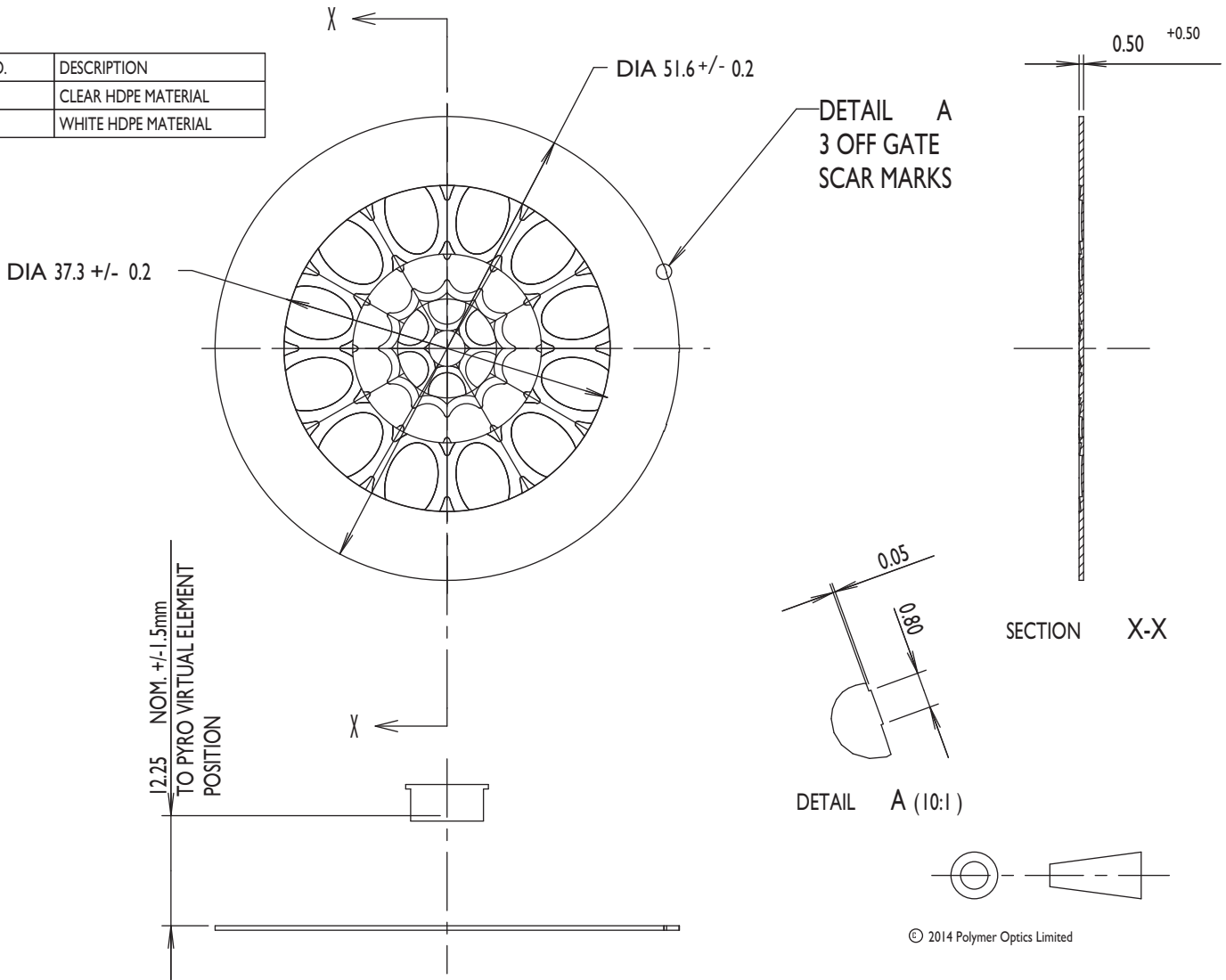


Theoretical zone plot for FF31

Diagram shows detector mounted at office ceiling level.
Mounting height can be up to 6m if required.

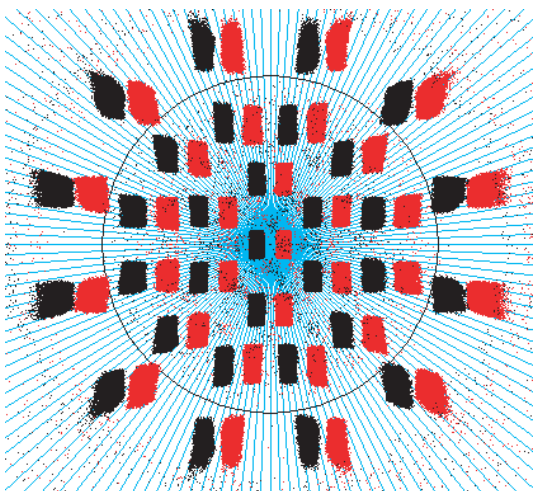
General layout. All dimensions in millimetres. Third angle projection

PART NO.	DESCRIPTION
483C	CLEAR HDPE MATERIAL
483W	WHITE HDPE MATERIAL



All of our lenses are designed using 3D ray-tracing software where we can optimise the performance and minimise optical distortion. For the simulation on the left we have traced rays from the detector to the room and this allows us to analyse the zone shape. It is important to ensure there is minimal zone distortion and zone overlap.

For the simulation on the right we have traced rays from the room to the detector so that we can analyse the signal response. Here it is important to ensure that the signal is reasonably uniform across all the zones.



PF31 (freeform) - Walk test simulation

