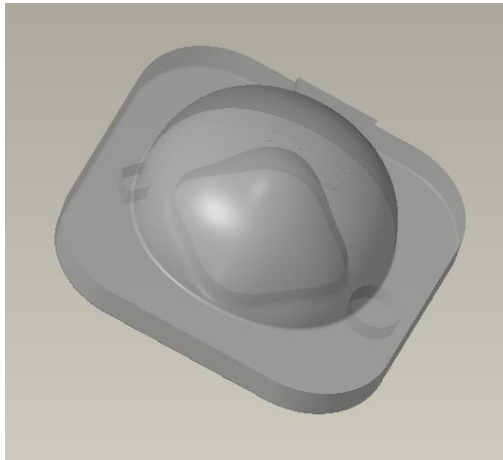


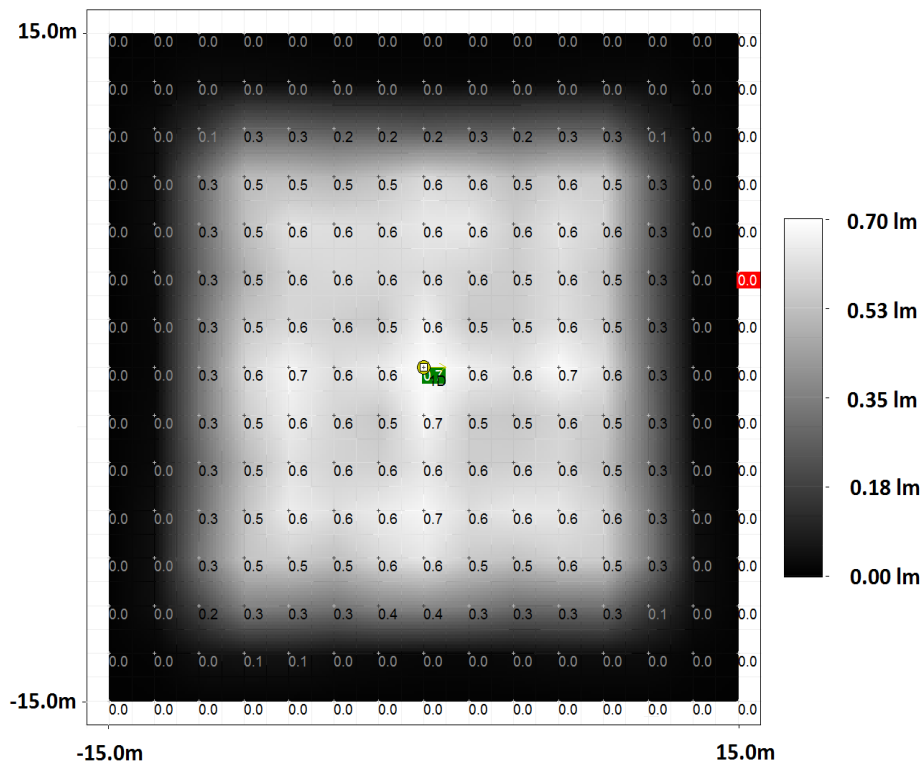
Medium Angle Square Area Optic - Part No. 535



- Illuminates a square area width 3.33x mounting height.
- Designed for High Power Lambertian LED sources.
- Exceptionally uniform illumination giving maximum to minimum illumination ratios as low as 1.4:1
- Moulded in V2 flammability grade Polycarbonate for thermal stability and system durability.
- Part of the Polymer Optics "Free-Form LED Optics"[®] range.
- Suitable for emergency lighting of large areas.

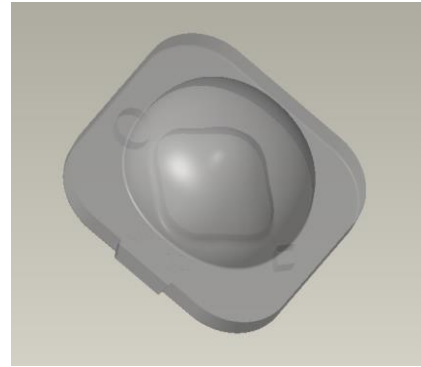
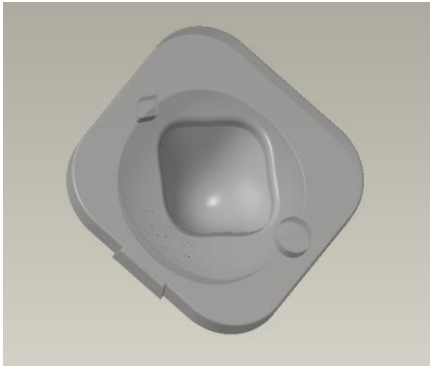
Designed to give even illuminance over a square area using a single LED. Recommended for ceiling luminaires mounted in a square pattern separated by up to 3.33x the mounting height. For example a square pattern of luminaires mounted at 6m and separated by 20m will require a Luxeon Rebel ES LED with an output of only 240 lumens to give a minimum 0.5 Lux on the floor.

Measured Illuminance Map Of 240 Lumen Output Luxeon Rebel ES LED Mounted At 6m Above Floor Level



In order to determine if the particular beam properties and performance of this optic are suitable for your application with your chosen LED type, POL suggests that you obtain samples from POL or their distributors for your own product testing, as the illumination will vary with different LED types.

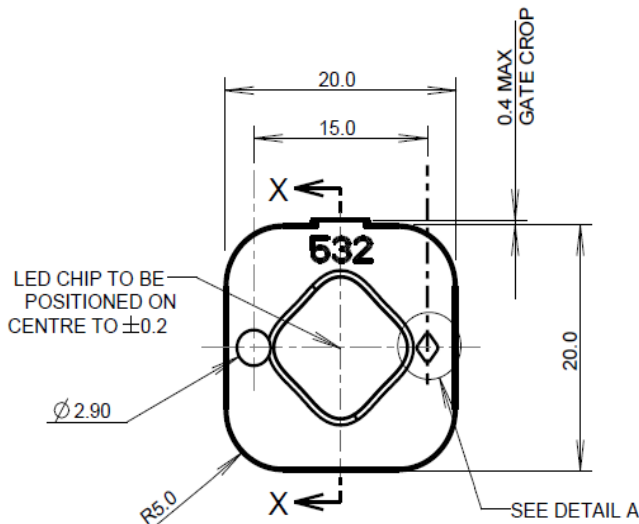
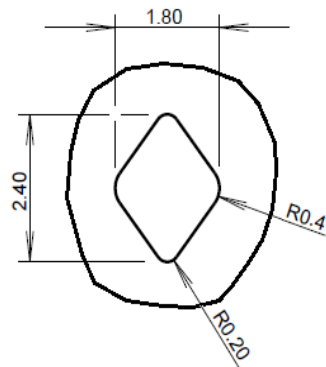
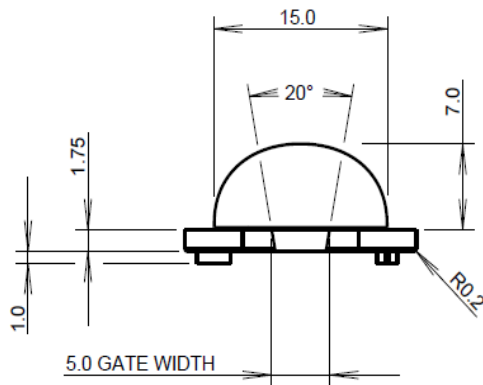
Medium Angle Square Area Optic - Part No. 535



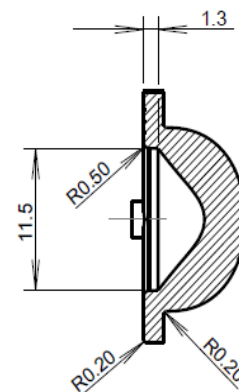
Typical dimensional tolerances to +/-0.2mm

MATERIAL: POLYCARBONATE

DIAMOND DOWEL
DETAIL A
SCALE 10:1



SECTION X-X



© 2015 POLYMER OPTICS LTD

Performance values given are typical values and actual values will depend on LED type, light flux and colour .

Due to continuous product improvement, POL reserve the right to change specifications without notice.