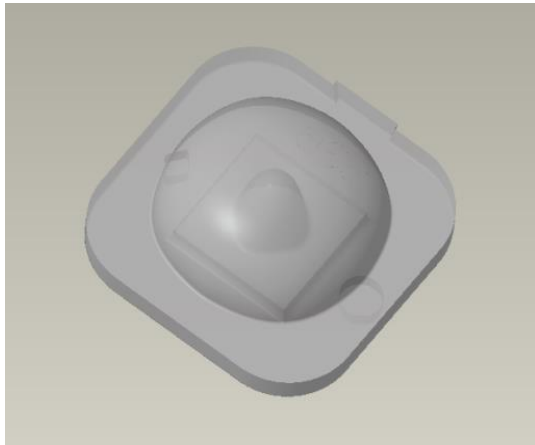


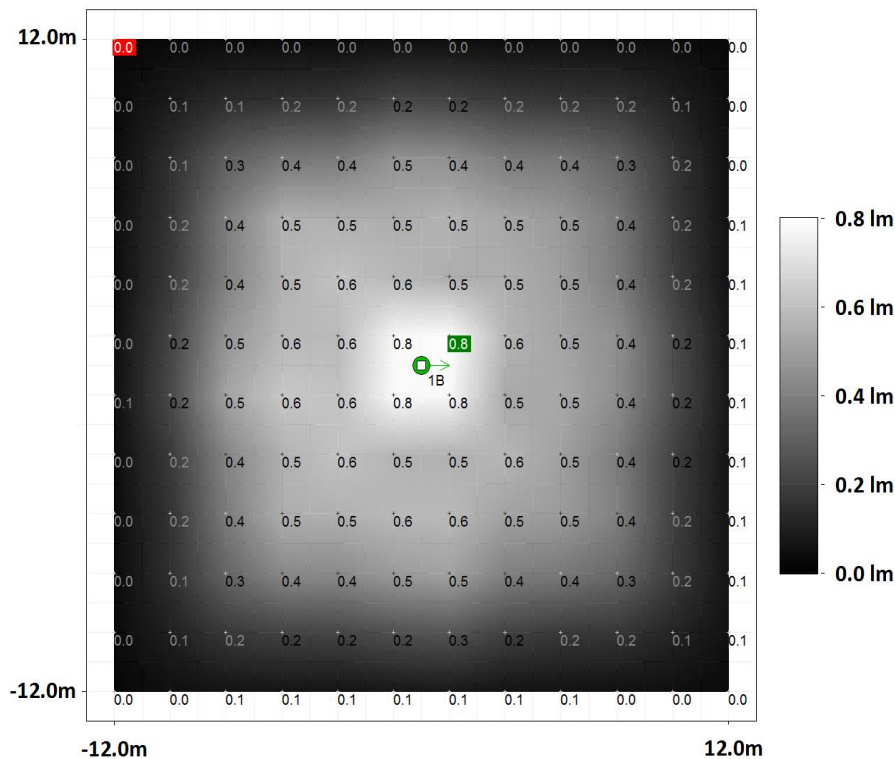
Wide Angle Square Area Optic - Part No. 536



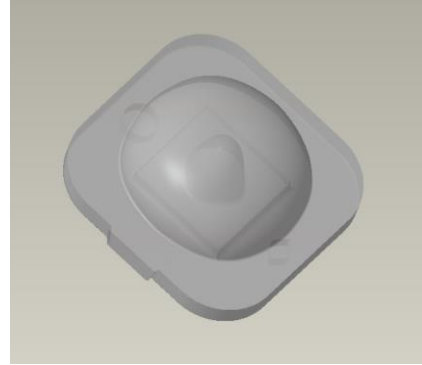
- Illuminates a square area width 5.5x mounting height.
- Designed for High Power Lambertian LED sources.
- Exceptionally uniform illumination giving maximum to minimum illumination ratios as low as 1.6:1
- Moulded in V2 flammability grade Polycarbonate for thermal stability and system durability.
- Part of the Polymer Optics "Free-Form LED Optics"[®] range.
- Suitable for emergency lighting of large areas.

Designed to give even illuminance over a square area using a single LED. Recommended for ceiling luminaires mounted in a square pattern separated by up to 5.5x the mounting height. For example a square pattern of luminaires mounted at 3m and separated by 16.5m will require a Luxeon Rebel ES LED with an output of only 165 lumens to give a minimum 0.5 Lux on the floor.

Measured Illuminance Map Of 165 Lumen Output Luxeon Rebel ES LED Mounted At 3m Above Floor Level

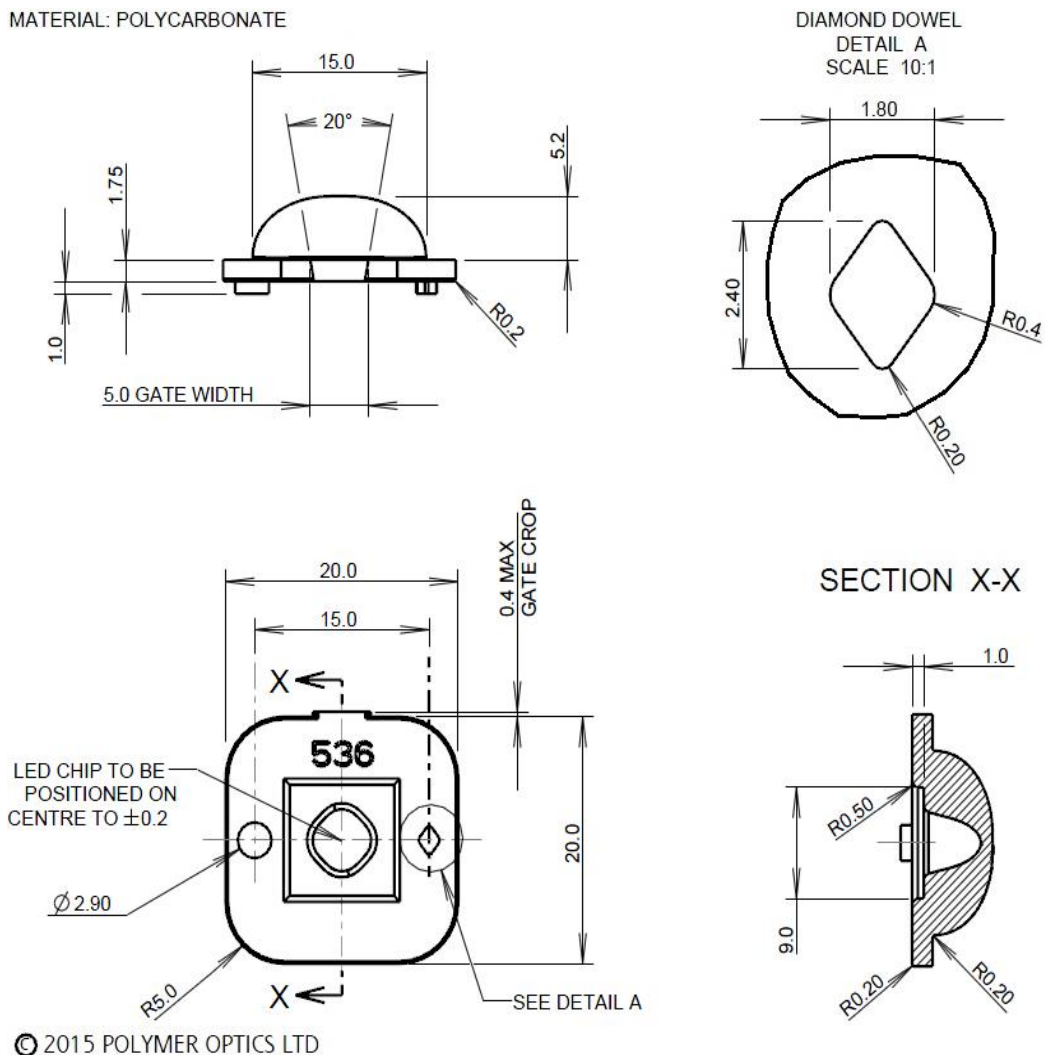


Wide Angle Square Area Optic - Part No. 536



Typical dimensional tolerances to +/-0.2mm

MATERIAL: POLYCARBONATE



Performance values given are typical values and actual values will depend on LED type, light flux and colour .

Due to continuous product improvement, POL reserve the right to change specifications without notice.