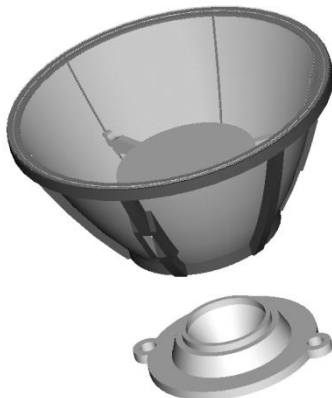


60mm Reflector with Zhaga Book 3 Base - Part No. 364



- Designed for use with all LED packages using the Zhaga Book 3 compliant LED holder design.
- High light collection efficiency of >85%
- Precision moulded using POL's patent applied for metallised optical insert moulding technique with a polycarbonate frame construction for superior mechanical and thermal stability
- Also available for other LED package types
- Part of the Polymer Optics "Modular LED Optics"[®] range



The POL 364 optic's narrow, high intensity beam is ideal for demanding applications, such as:

- ✓ General lighting applications
- ✓ Mining and caving lamps
- ✓ Under water lamps and torches
- ✓ Architectural spot lights (singularly or in arrays)
- ✓ Theatrical lights and follow-spots (singularly or in arrays)
- ✓ High level flood lights
- ✓ Street lights
- ✓ Medical lighting applications

The 364 Reflector Optic Zhaga Base is designed to locate to any standard Zhaga Book 3 LED mounting and secure with the two standard mounting screws, to align to the LED source.

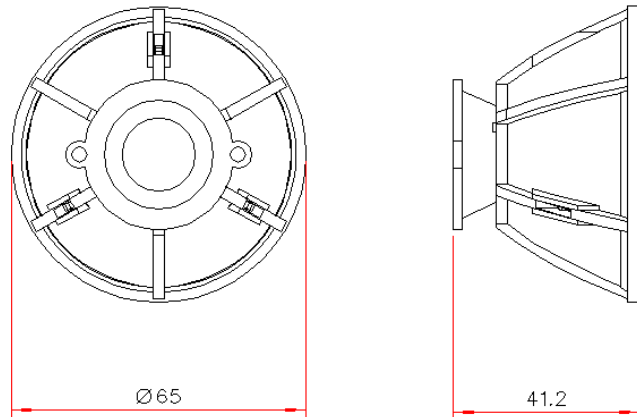
The 60mm Reflector Optic component is then simply push fitted on to the 364 Base component. The 60mm Reflector Optic can be rotated as it is push fitted onto the 364 Base for extra security of fit. If required, the 60mm Reflector Optic can be removed from the 364 Base by rotating the optic while gently pulling away from the base. The assembly can usually be re-used, but if any damage has occurred to the 364 Base, it should be replaced with a new component.

In order to determine if the particular beam properties and performance of this optic are suitable for your application with your chosen LED type, POL suggests that you obtain samples from POL or their distributors for your own product testing, as properties may vary with different LED types.

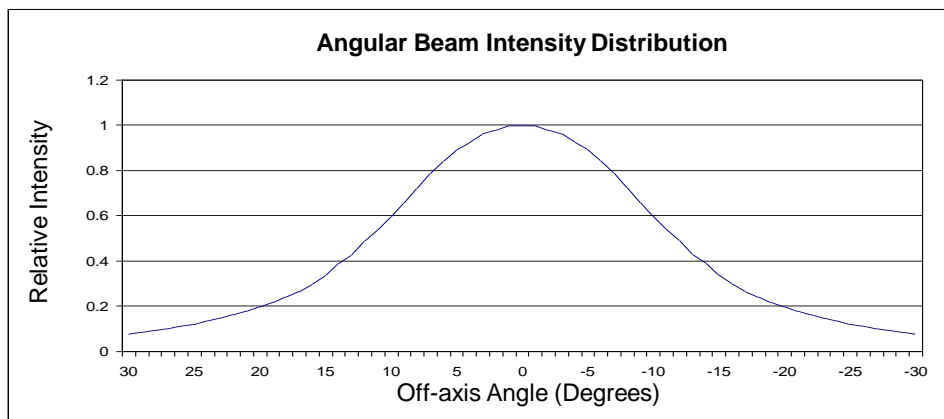
Due to continuous product improvement, POL reserve the right to change specifications without notice.

© Copyright Polymer Optics Limited 2016

60mm Reflector with Zhaga Book 3 Base - Part No. 364



Typical dimensional tolerances to +/-0.2mm



Typical illuminance values per 1000 lumens from LED = 2.1 cd/lm			
Range	0.5m	1m	2m
Illuminance	8400 lux	2100 lux	525 lux

In order to determine if the particular beam properties and performance of this optic are suitable for your application with your chosen LED type, POL suggests that you obtain samples from POL or their distributors for your own product testing, as properties may vary with different LED types.

Due to continuous product improvement, POL reserve the right to change specifications without notice.

© Copyright Polymer Optics Limited 2016