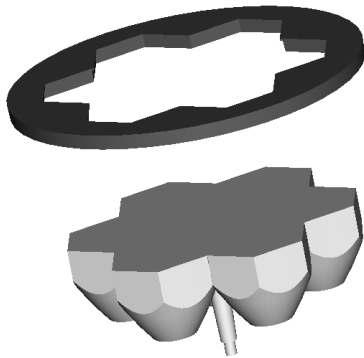


Bezel for 7 Cell Cluster Optics - Part No. 271



- Designed for POL 122, 125, 140, 261, 262, 263 and 264 Cluster optic products
- Precision moulded in high quality Polycarbonate for thermal stability and system durability
- Part of the Polymer Optics “Modular LED Optics”® range

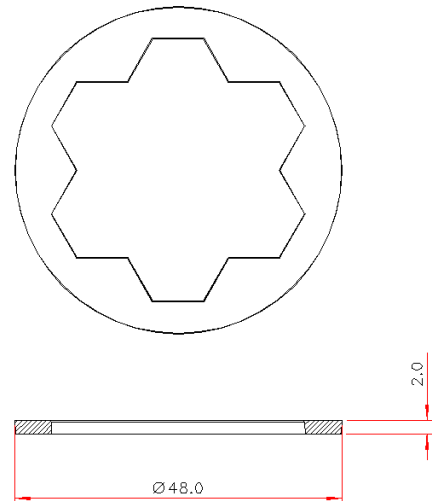
The POL 271 Bezel for 7 Cell Cluster Optics simply pushes onto the front of the 7 Cell Cluster range optics, to convert the outer profile of the optic to a simple circular format and enable it to be mounted into a standard 50mm fitting.

The POL 271 bezel fits closely to the edge of the 7 Cell Cluster optic without obscuring the out put beam.

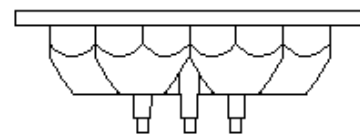
The POL 271 bezel can provide a simple way to retain the 7 Cell Cluster based light engine assembly in the luminaire and prevent dust ingress.

The POL 271 bezel provides an aesthetic contrast between the illuminated optic aperture and the luminaire body and prevents light bleed from within the luminaire.

Bezel supplied in black as standard, but can be supplied in alternative colours to special order. Please contact POL or its distributors to enquire about this.



Typical dimensional tolerances to +/-0.2mm



BEZEL POSITION ON CLUSTER OPTIC

Due to continuous product improvement, POL reserve the right to change specifications without notice.

© Copyright Polymer Optics Limited 2016