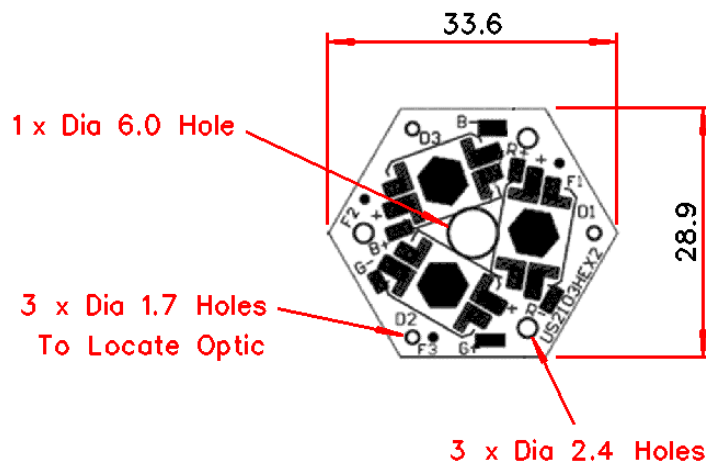
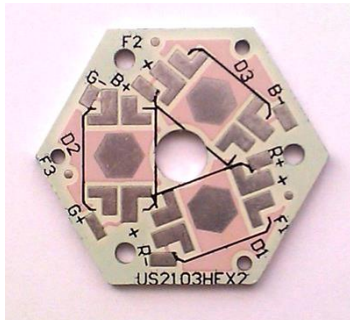


## Colour Mixer MCPCB – Part No. 159



- Universal MCPCBs can be provided by POL to support customer prototyping and luminaire production
- The 159 MCPCB is designed to accommodate larger Lambertian single die Emitter style LEDs including the following:
  - Seoul Semi P3, P4
  - Avago ASTM-Axxx
  - Edison Edixeon series
  - Osram Dragon types
- Manufactured by Universal Science using Unilam substrates.
- The 157 Colour Mixer Optics assembled onto the 159 MCPCBs can be clustered into large arrays and linear formats.
- Part of the Polymer Optics “Modular LED Optics”® range



In order to determine if the particular performance of this part is suitable for your application with your chosen LED type, POL suggests that you obtain samples from POL or their distributors for your own product testing, as properties may vary with different LED types.

Due to continuous product improvement, POL reserve the right to change specifications without notice.

© Copyright Polymer Optics Limited 2016