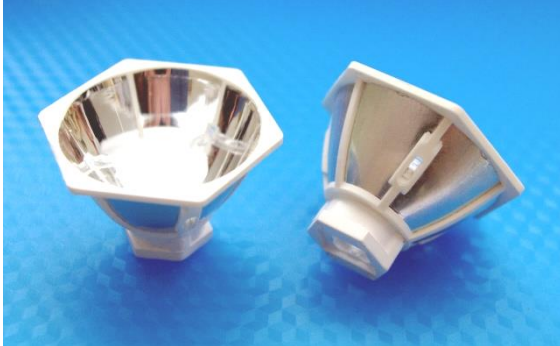


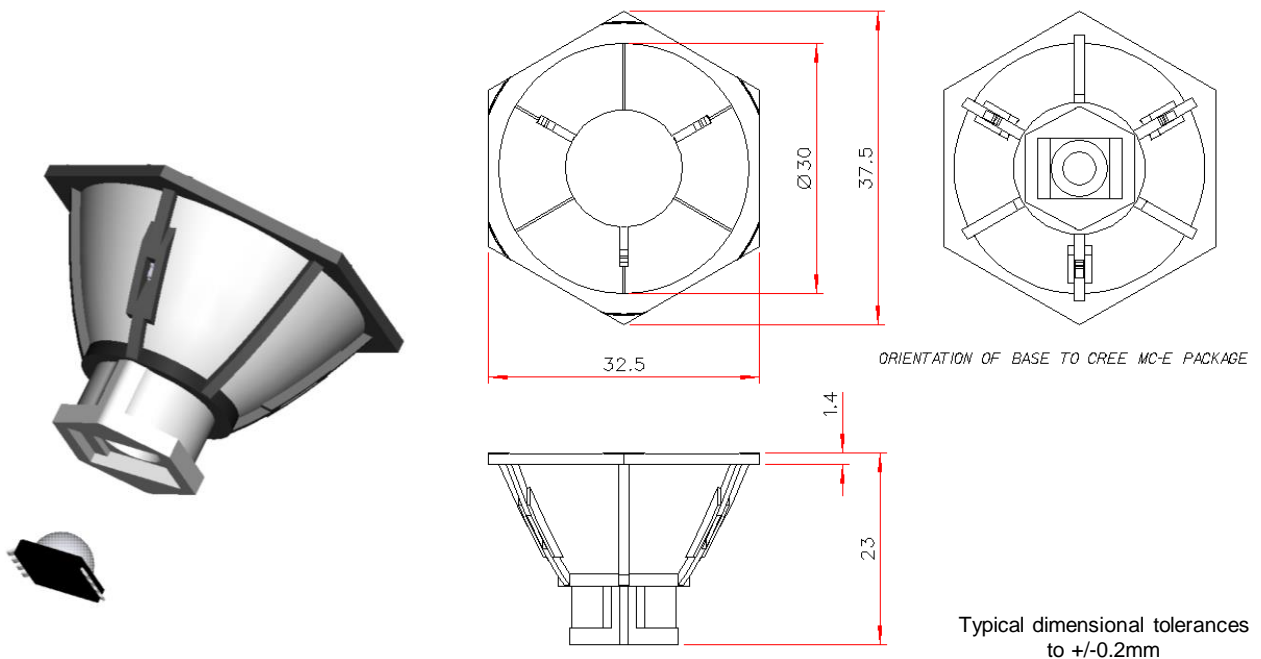
30mm Colour Mixer Reflector - Part No. 250



- Designed for Cree MC-E RGBA and RGBW multi-die LED and similar types
- High light collection efficiency of >60%
- Precision moulded using POL's patent applied for metallised optical insert moulding technique with a polycarbonate frame construction for superior mechanical and thermal stability
- Also available for other Multi-Colour LED package types
- Part of the Polymer Optics "Modular LED Optics"® range

Polymer Optics "Modular LED Optics"® design, based on a hexagonal format, allows maximum packing density and assembly flexibility. Arrays of single colour or colour mixed cells can be easily constructed

The 250 Reflector Optic base is designed to push fit over the Cree MC-E LED package to align to the LED source



In order to determine if the particular beam properties and performance of this optic are suitable for your application with your chosen LED type, POL suggests that you obtain samples from POL or their distributors for your own product testing, as properties may vary with different LED types.

Due to continuous product improvement, POL reserve the right to change specifications without notice.

© Copyright Polymer Optics Limited 2016

30mm Colour Mixer Reflector - Part No. 250

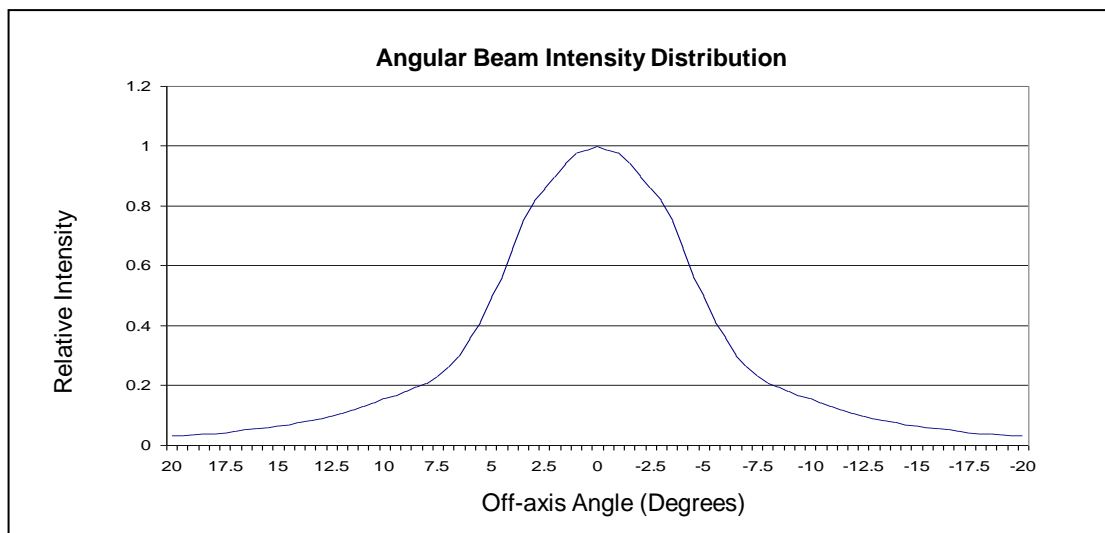
The perfect colour mixing achieved with the POL 250 optic allows an infinite range of illumination colours to be produced with a constant and stable beam geometry.

An additional advantage is that the appearance of the emitted light from the POL 250 optic is a uniform mixed colour too, removing the usual visible spots of RGB seen in other colour mixing products.



The POL 250 optic's narrow, high intensity beam is ideal for demanding applications, such as:

- ✓ Architectural spot lights
- ✓ Theatrical lights and follow-spots
- ✓ Forensic torches
- ✓ Medical lighting applications



In order to determine if the particular beam properties and performance of this optic are suitable for your application with your chosen LED type, POL suggests that you obtain samples from POL or their distributors for your own product testing, as properties may vary with different LED types.

Due to continuous product improvement, POL reserve the right to change specifications without notice.

© Copyright Polymer Optics Limited 2016

30mm Colour Mixer Reflector - Part No. 250

30mm Reflector Beam Converters in the Polymer Optics range:



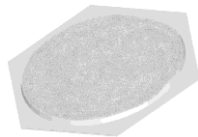
265 – Medium Beam Converter



266 – Wide Beam Converter



267 – Elliptical Beam Converter



365 – Diffuse Beam Converter

Product Numbering:

The Reflector Converter optics are simply ordered with the required 30mm Reflector optic product, chosen from the POL range, to suit the target LED device.

The required Reflector Converter part number is simply prefixed to the base 30mm Reflector variant. So, for example, if ordering the basic POL 250 - 30mm Reflector with the 267 – Elliptical Beam Converter, the product part number will be 267/250.

Please see the entire range of POL 30mm Reflector Optic products for options, or enquire to POL for further information.

Due to continuous product improvement, POL reserve the right to change specifications without notice.

© Copyright Polymer Optics Limited 2016