

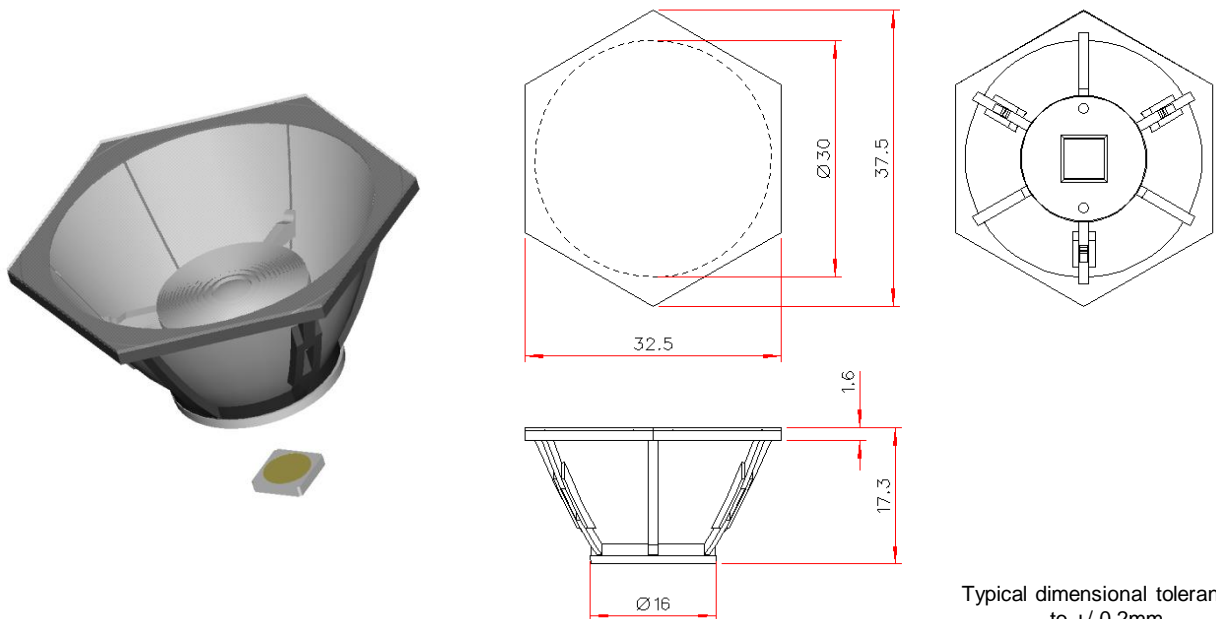
### 30mm Reflector Collimator - Part No. 340



- Designed for 5mm x 5mm Lambertian high power LEDs
- Front diffuser on reflector smooths out beam structure, where 5mm x 5mm LED package is populated with multiple LED dies.
- High light collection efficiency of >95%
- Precision moulded using POL's patent applied for metallised optical insert moulding technique with a polycarbonate frame construction for superior mechanical and thermal stability
- Part of the Polymer Optics "Modular LED Optics"<sup>®</sup> range

Polymer Optics "Modular LED Optics"<sup>®</sup> design, based on a hexagonal format, allows maximum packing density and assembly flexibility. Arrays of single colour or colour mixed cells can be easily constructed.

The 340 Reflector Optic base is designed to fit over the standard 5mm x 5mm LED package to align to the LED source



Typical dimensional tolerances to +/-0.2mm

In order to determine if the particular beam properties and performance of this optic are suitable for your application with your chosen LED type, POL suggests that you obtain samples from POL or their distributors for your own product testing, as properties may vary with different LED types.

Due to continuous product improvement, POL reserve the right to change specifications without notice.

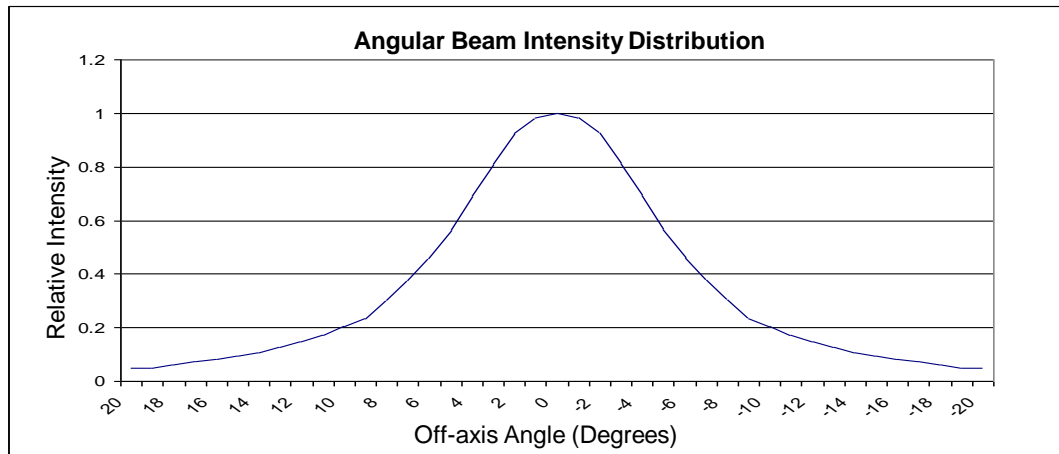
© Copyright Polymer Optics Limited 2016

### 30mm Reflector Collimator - Part No. 340



The POL 340 optic's narrow, high intensity beam is ideal for demanding applications, such as:

- ✓ Mining and caving lamps
- ✓ Under water lamps and torches
- ✓ Architectural spot lights
- ✓ Theatrical lights and follow-spots
- ✓ High performance torches
- ✓ High level flood lights
- ✓ Street lights
- ✓ Medical lighting applications



Typical illuminance values using 100 lumen white Lambertian LED = 7 cd/lm			
Range	0.5m	1m	2m
Illuminance	2800 lux	700 lux	175 lux

In order to determine if the particular beam properties and performance of this optic are suitable for your application with your chosen LED type, POL suggests that you obtain samples from POL or their distributors for your own product testing, as properties may vary with different LED types.

Due to continuous product improvement, POL reserve the right to change specifications without notice.

© Copyright Polymer Optics Limited 2016

## 30mm Reflector Collimator - Part No. 340

### 30mm Reflector Beam Converters in the Polymer Optics range:



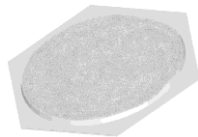
**265 – Medium Beam Converter**



**266 – Wide Beam Converter**



**267 – Elliptical Beam Converter**



**365 – Diffuse Beam Converter**

#### **Product Numbering:**

The Reflector Converter optics are simply ordered with the required 30mm Reflector optic product, chosen from the POL range, to suit the target LED device.

The required Reflector Converter part number is simply prefixed to the base 30mm Reflector variant. So, for example, if ordering the basic POL 340 - 30mm Reflector with the 267 – Elliptical Beam Converter, the product part number will be 267/340.

Please see the entire range of POL 30mm Reflector Optic products for options, or enquire to POL for further information.

Due to continuous product improvement, POL reserve the right to change specifications without notice.

© Copyright Polymer Optics Limited 2016