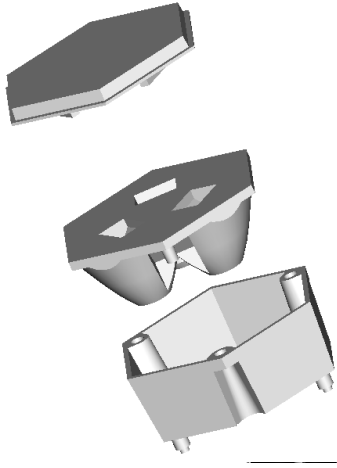
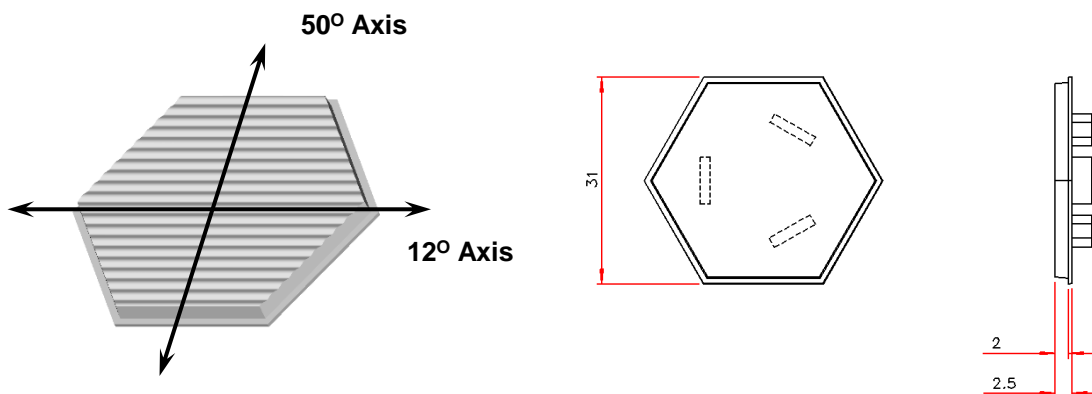
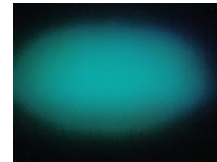


Orthogonal Elliptical Beam Converter Optic for Colour Mixer – 162B



- The Beam Converter Optics simply interference push fit onto the front of the POL Colour Mixer Optic. This is best carried out with a small hand press to ensure the Beam Converter and the Colour Mixer Optic remain parallel during the assembly
- Precision moulded in optical grade PMMA acrylic for improved scratch resistance on the outside of the assembly.
- The Beam Converter Optics fit within the area of the Colour Mixer Optic, so the assemblies can still be arranged in close packed arrays.
- The flanged edge of the Beam Converter Optics allows the POL 164 Bezel to be located to the assembly for aesthetic product finishing.
- Part of the Polymer Optics “Modular LED Optics”® range



In order to determine if the particular beam properties and performance of this optic are suitable for your application with your chosen LED type, POL suggests that you obtain samples from POL or their distributors for your own product testing, as properties may vary with different LED types.

Due to continuous product improvement, POL reserve the right to change specifications without notice.

© Copyright Polymer Optics Limited 2016