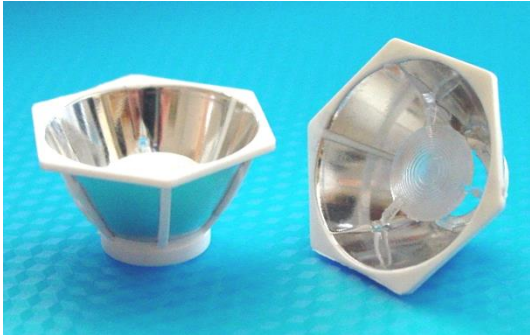


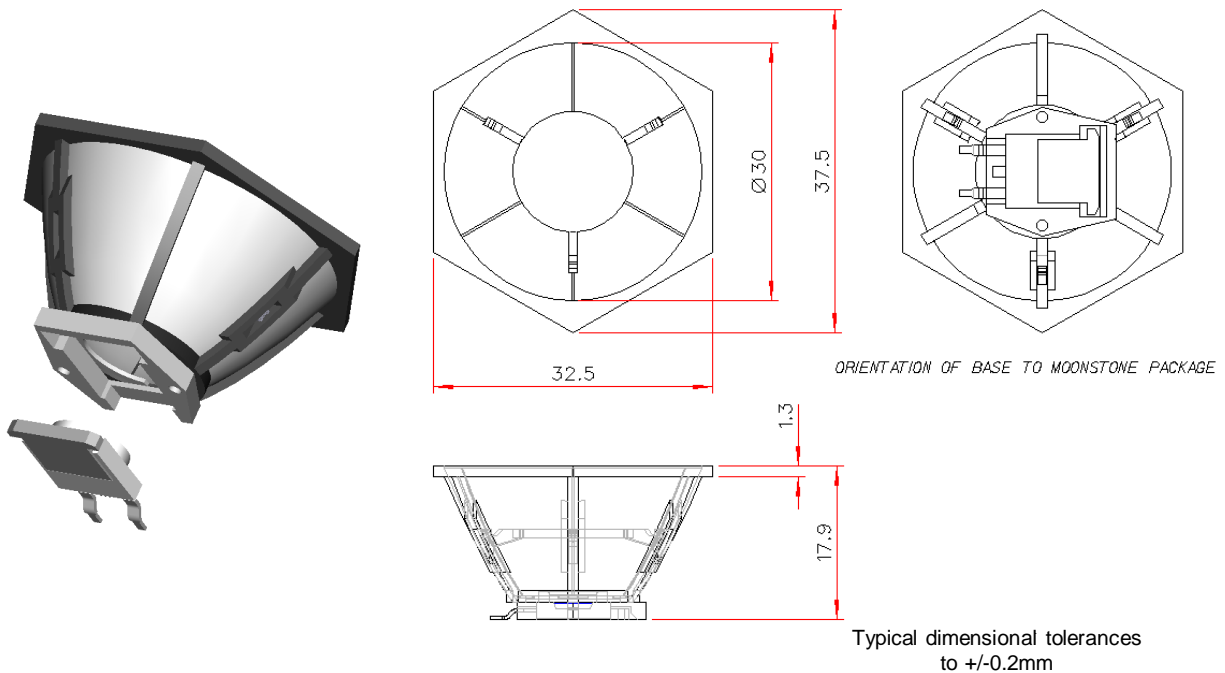
## 30mm Reflector for Avago "Moonstone" LEDs - Part No. 209



- Designed for Avago "Moonstone" LEDs
- High light collection efficiency of >95%
- Precision moulded using POL's patent applied for metallised optical insert moulding technique with a polycarbonate frame construction for superior mechanical and thermal stability
- Also available for other Avago LED types
- Part of the Polymer Optics "Modular LED Optics"<sup>®</sup> range

Polymer Optics "Modular LED Optics"<sup>®</sup> design, based on a hexagonal format, allows maximum packing density and assembly flexibility. Arrays of single colour or colour mixed cells can be easily constructed

The 209 Reflector Optic base is designed to push fit over the Avago "Moonstone" LED package to align to the LED source



In order to determine if the particular beam properties and performance of this optic are suitable for your application with your chosen LED type, POL suggests that you obtain samples from POL or their distributors for your own product testing, as properties may vary with different LED types.

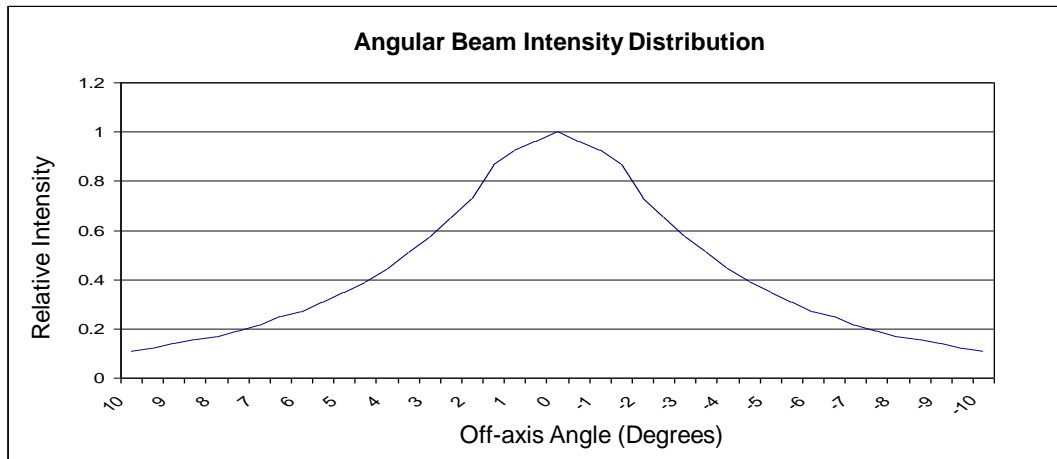
Due to continuous product improvement, POL reserve the right to change specifications without notice.

## 30mm Reflector for Avago "Moonstone" LEDs - Part No. 209



The POL 209 optic's narrow, high intensity beam is ideal for demanding applications, such as:

- ✓ Mining and caving lamps
- ✓ Under water lamps and torches
- ✓ Architectural spot lights (single colour and RGB arrays)
- ✓ Theatrical lights and follow-spots (single colour and RGB arrays)
- ✓ High performance torches
- ✓ High level flood lights
- ✓ Street lights
- ✓ Medical lighting applications



Typical illuminance values using 60 lumen Avago Moonstone LED = 20 cd/lumen			
Range	0.5m	1m	2m
Illuminance	4800 lux	1200 lux	300 lux

Performance values given are typical values and will vary dependant on LED binning, colour and drive profile

**In order to determine if the particular beam properties and performance of this optic are suitable for your application with your chosen LED type, POL suggests that you obtain samples from POL or their distributors for your own product testing, as properties may vary with different LED types.**

Due to continuous product improvement, POL reserve the right to change specifications without notice.

© Copyright Polymer Optics Limited 2016

## 30mm Reflector for Avago "Moonstone" LEDs - Part No. 209

### 30mm Reflector Beam Converters in the Polymer Optics range:



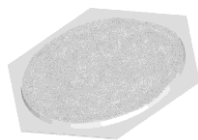
265 – Medium Beam Converter



266 – Wide Beam Converter



267 – Elliptical Beam Converter



365 – Diffuse Beam Converter

#### Product Numbering:

The Reflector Converter optics are simply ordered with the required 30mm Reflector optic product, chosen from the POL range, to suit the target LED device.

The required Reflector Converter part number is simply prefixed to the base 30mm Reflector variant. So, for example, if ordering the basic POL 209 - 30mm Reflector with the 267 – Elliptical Beam Converter, the product part number will be 267/209.

Please see the entire range of POL 30mm Reflector Optic products for options, or enquire to POL for further information.

Due to continuous product improvement, POL reserve the right to change specifications without notice.

© Copyright Polymer Optics Limited 2016