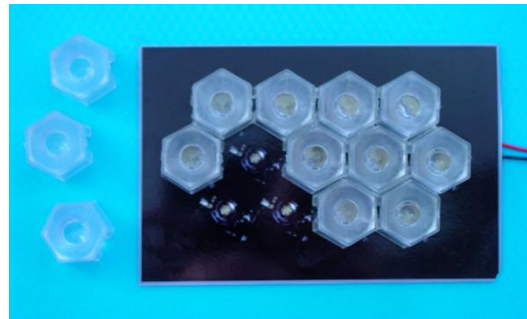
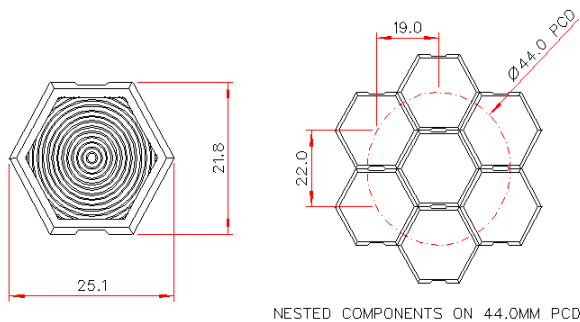


## Wide Beam Supa-Hex© LED Lens - Part No. 153



- Designed for LUXEON® I style LED packages, such as:
  - Seoul Semi P3, P4
  - Avago ASTM-Axxx
  - Edison Edixeon series
- High light collection efficiency of >85%
- New single piece, holder-less design for easier assembly, lower cost and improved luminaire aesthetics.
- Patented hexagonal shape for close packed uniform look of luminaire.
- Designed for standard 22mm pitch to replace existing large format LED collimator products on the market.
- Precision moulded in optical grade Polycarbonate for thermal stability and system durability

Typical dimensional tolerances to +/-0.2mm



**POL's unique hexagonal shaped optics close pack in arrays for a uniform illuminated look to the luminaire and superior projected illumination uniformity.**

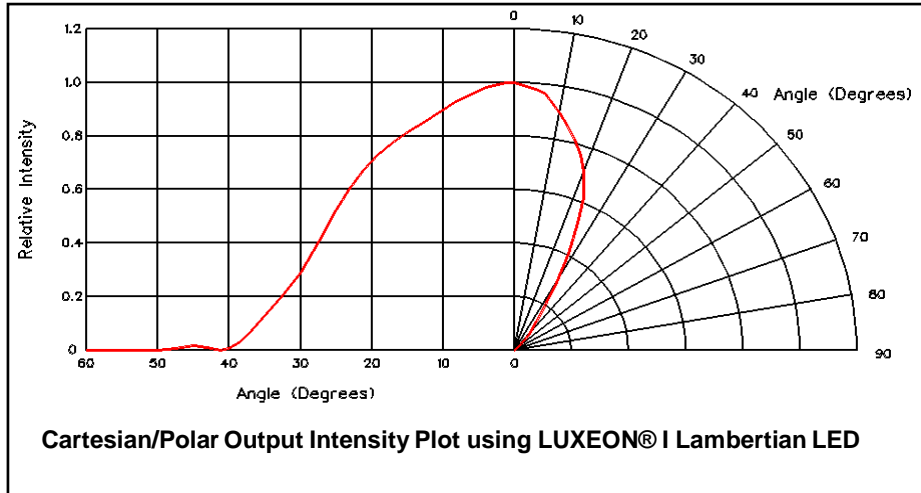
**Each optic simply fits over the LED package and self-aligns to the optical axis. No other assembly required.**

Performance values given are typical values and will vary dependent on LED type, binning, colour and drive profile.

Due to continuous product improvement, POL reserve the right to change specifications without notice.

© Copyright Polymer Optics Limited 2016

**Wide Beam Supa-Hex© LED Lens - Part No. 153**



Typical illuminance values using 40 lumen white Emitter = 2cd/lumen			
Range	0.5m	1m	2m
Illuminance	2400 lux	600 lux	150 lux



In order to determine if the particular beam properties and performance of this optic are suitable for your application with your chosen LED type, POL suggests that you obtain samples from POL or their distributors for your own product testing, as properties may vary with different LED types.

Performance values given are typical values and will vary dependent on LED type, binning, colour and drive profile.

Due to continuous product improvement, POL reserve the right to change specifications without notice.

© Copyright Polymer Optics Limited 2016